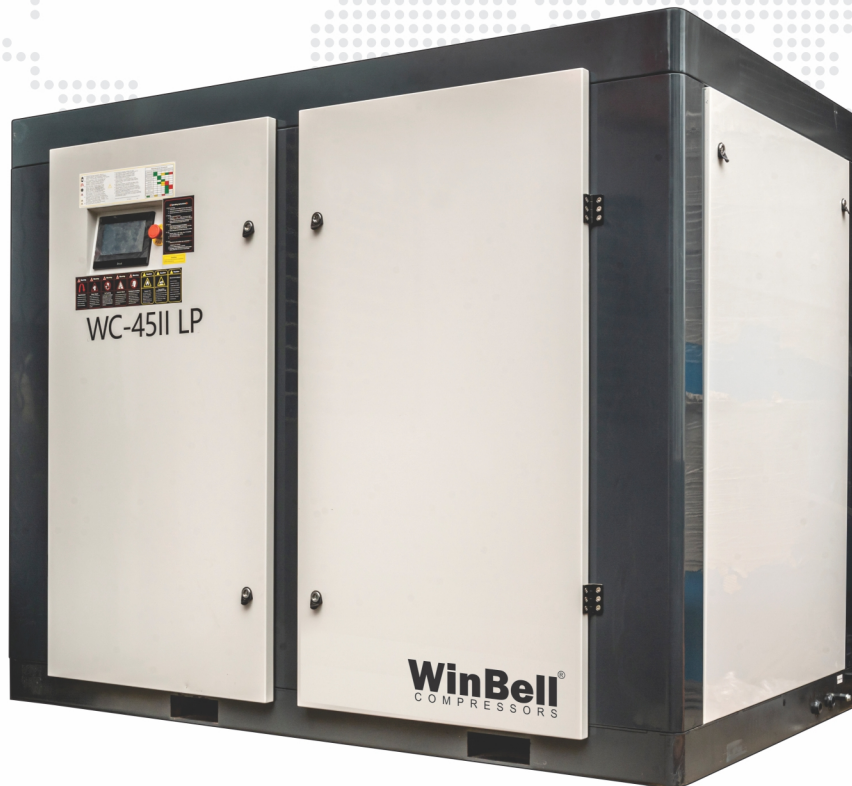


Energy Efficient Screw Air Compressor

Motor Power Range : 2.2 ~ 560 kW

Air flow capacity range : 18 ~ 3620 CFM

Pressure range : 2 ~ 16 bar



Innovation to excellence

Winbell Compressors Pvt. Ltd.



Company Purpose

Winbell Compressors Pvt. Ltd. is a compressed air system manufacturer integrating R&D, production, sales, and service. Winbell has long been based on the research and development of new technologies, strictly follows international standards, and adheres to the principle of "energy-saving creates the future" brand management philosophy, aiming to provide stable and efficient air compression systems for global enterprises. help customers increase productivity, reduce costs, reduce carbon dioxide emissions, and achieve global sustainable development

Core Values



Passion and Innovation

We are committed to providing high-quality products, services and innovations Helping clients grow, improving the environment and advancing society. create a better life



Customer Focus

We use outstanding products, solutions and services to meet the differentiated needs of different customers and help achieve sustainable development goals



People Centredness

We believe in the inherent worth of our employees and treat our team members, customers, partners and suppliers with mutual respect and sensitivity.



Integrity

We accept responsibility for our actions, make and support business decisions through experience and good judgement

Our Mission

To ensure the reliability of customer business operations through our outstanding products, solutions and services, help customers increase productivity, reduce costs, reduce carbon dioxide emissions, and achieve global sustainable development

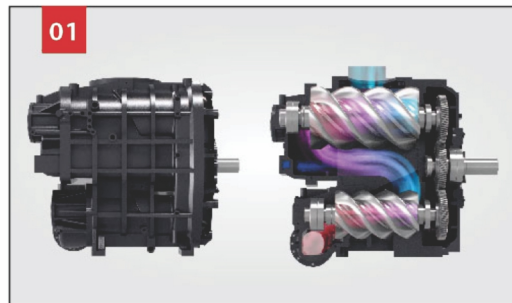


WinBell Compressor is founded by young & dynamic group of engineers, it is classified as a private limited company and is located in Ahmedabad, Gujarat. India, we are specialize in products solutions for complete range of compressed Air system. With our technical partnership with reputed overseas & local companies we have developed high end power efficient product which is best in class in the Market. With our technical skills we have developed World Class Energy efficient & Low maintenance compressors & At the same time the product is famous for its high reliability and low noise. Our Machines are working satisfactory in various Industries Like Textile, Cement, Automobiles, Glass, Engineering, Food, Pharmaceuticals , Paper, Color Sorting, Plastic & Packaging, Oil & Gas, Hospitals, Etc.. WinBell has been dedicated to research and development in the field of air compressor. the response to the Global low-carbon theme & advance Research for more & more energy efficient machines.



SCREW AIR COMPRESSOR WITH TWO-STAGE COMPRESSION AIR-END

FEATURES AND ADVANTAGES

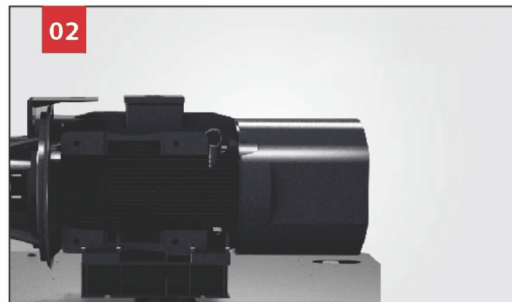


01

Feature:
Two-stage compression air-end

Advantage:
Low compression ratio
Low temperature rising
Low air leakage

Benefit:
15% energy-saving



02

Feature:
IE4 Permanent magnet motor /
High-efficiency motor

Advantage:
Motor efficiency **97%**

Benefit:
5% energy-saving



03

Feature:
2-VFD System

Advantage:
Constant pressure output to remove
pressure fluctuation and off-load
Constant temperature output at 80~85 °C
Low starting current to protect components

Benefit:
15% energy-saving

04 **Feature:**
Customized pressure system

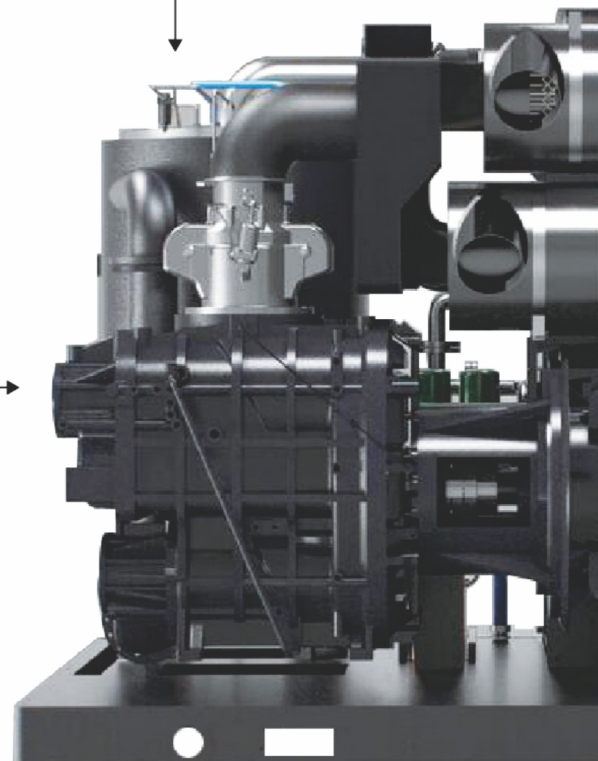
Advantage:
Avoid excess pressure waste

Benefit:
7% energy-saving

05 **Feature:**
Seamless piping system

Advantage:
Smooth, rust-free, good
appearance

Benefit:
No pressure loss





06 **Feature:**
Large oil system

Advantage:
Reduce internal pressure loss
Avoid oil leakage for safety

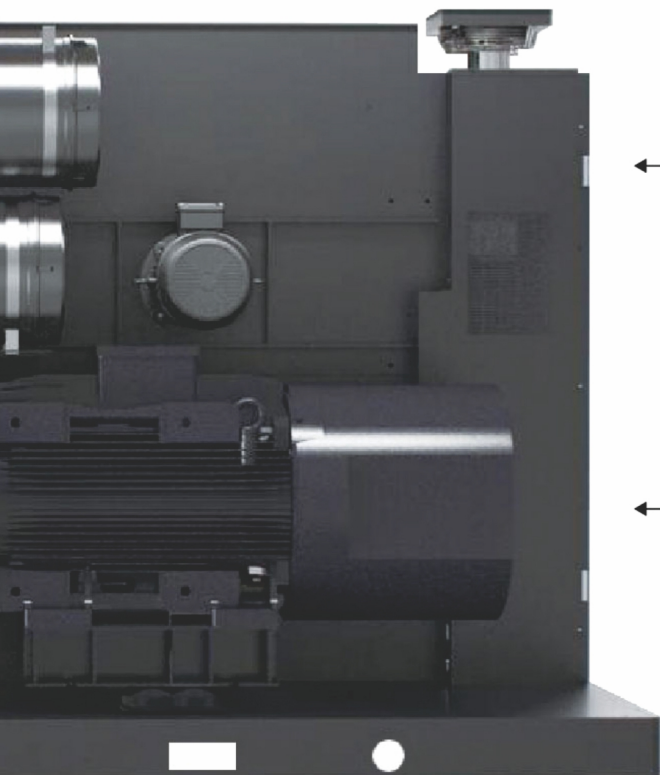
Benefit:
3% energy-saving



07 **Feature:**
Large cooler system

Advantage:
Centrifugal fan used for
good cooling effect

Benefit:
Allow ambient temperature at **52°C**



08 **Feature:**
Intelligent control system

Advantage:
10 inch monitor to show all the data

Benefit:
Simple operation and trouble free

09 **Feature:**
Double filtering system

Advantage:
Remove impurity from air and ensure air cleanness

Benefit:
Longer life of air-end and lubrication oil

10 **Feature:**
Air routing system

Advantage:
Cold air side suction and hot air top discharge

Benefit:
2% energy-saving

PERMANENT MAGNET MOTOR + INVERTER + TWO-STAGE

Model	Maximum working pressure		Capacity (FAD)		Motor power		Mode of driving	Noise level db	Outlet pipe dia. inch	Dimensions (mm)			Weight kg
	bar	psig	m ³ /min	cfm	kw	hp				L	W	H	
WC-15PM II	4.5	65	1.0~3.9	35.3~137.7	15	20	Direct driving	65	1 1/2	1500	900	1270	1000
	5.5	80	0.9~3.5	31.8~123.6									
	6.5	94	0.8~3.2	28.2~113.0									
	7.5	109	0.7~3.0	24.7~105.9									
	8.5	123	0.7~2.9	24.7~102.4									
	10.5	152	0.6~2.4	21.2~84.7									
WC-18PM II	4.5	65	1.2~4.8	42.4~169.4	18.5	25	Direct driving	65	1 1/2	1500	900	1270	1100
	5.5	80	1.1~4.3	38.8~151.8									
	6.5	94	1.0~4.0	35.3~141.2									
	7.5	109	0.9~3.8	31.8~134.1									
	8.5	123	0.8~3.4	28.2~120.0									
	10.5	152	0.7~2.9	24.7~102.4									
WC-22PM II	4.5	65	1.6~6.4	56.5~225.9	22	30	Direct driving	65	2	1650	1050	1400	1300
	5.5	80	1.5~6.1	53.0~215.3									
	6.5	94	1.2~4.8	42.4~169.4									
	7.5	109	1.1~4.5	38.8~158.9									
	8.5	123	1.1~4.3	38.8~151.8									
	10.5	152	0.8~3.4	28.2~120.0									
WC-30PM II	4.5	65	2.1~8.8	74.1~310.7	30	40	Direct driving	68	2	1650	1050	1400	1350
	5.5	80	1.9~7.7	67.1~271.8									
	6.5	94	1.8~7.0	63.5~247.1									
	7.5	109	1.6~6.8	56.5~240.0									
	8.5	123	1.5~6.2	53.0~218.9									
	10.5	152	1.2~4.7	42.4~165.9									
WC-37PM II	4.5	65	2.6~10.3	91.8~363.6	37	50	Direct driving	68	2	1800	1150	1400	1650
	5.5	80	2.4~9.5	84.7~335.4									
	6.5	94	2.2~8.7	77.7~307.1									
	7.5	109	1.9~7.5	67.1~264.8									
	8.5	123	1.8~7.4	63.5~261.2									
	10.5	152	1.5~6.0	53.0~211.8									
	12.5	181	1.4~5.6	49.4~197.7					1650	1050	1400	1450	

- Free air delivery for the complete package in accordance with ISO 1217, Appendix E, at 20°C ambient temperature and 1 bar intake absolute pressure.
- Emitted sound pressure values from 64 dB(A) according to DIN EN ISO 2151:2009.
- Technical data subject to change.

Model	Maximum working pressure		Capacity (FAD)		Motor power		Mode of driving	Noise level	Outlet pipe dia.	Dimensions (mm)			Weight
	bar	psig	m ³ /min	cfm	kw	hp		db	inch	L	W	H	kg
WC-45PM II	4.5	65	3.3~13.1	116.5~462.4	45	60	Direct driving	68	2 1/2	2100	1360	1680	2300
	5.5	80	2.9~11.5	102.4~405.9									
	6.5	94	2.4~10.5	84.7~370.6									
	7.5	109	2.3~10.0	81.2~353.0									
	8.5	123	2.2~8.6	77.7~303.6									
	10.5	152	1.9~7.5	67.1~264.8									
	12.5	181	1.6~6.4	56.5~225.9									
WC-55PM II	4.5	65	3.9~15.5	137.7~547.2	55	75	Direct driving	70	2 1/2	2100	1360	1680	2400
	5.5	80	3.4~14.5	120.0~511.9									
	6.5	94	3.2~13.3	113.0~469.5									
	7.5	109	3.0~13.1	105.9~462.4									
	8.5	123	2.8~12.3	98.8~434.2									
	10.5	152	2.3~10.1	81.2~356.5									
	12.5	181	2.3~9.0	81.2~317.7									
WC-75PM II	4.5	65	4.2~20.7	148.3~730.7	75	100	Direct driving	70	DN80	2740	1740	1820	3500
	5.5	80	4.8~19.0	169.4~670.7									
	6.5	94	4.5~17.5	158.9~617.8									
	7.5	109	4.2~16.6	148.3~550.7									
	8.5	123	3.8~15.6	134.1~554.2									
	10.5	152	3.4~13.6	120.0~480.1									
	12.5	181	2.9~11.5	102.4~406.0									
WC-90PM II	4.5	65	6.4~25.6	225.9~903.7	90	120	Direct driving	73	DN100	2840	1850	1950	4000
	5.5	80	5.9~23.6	208.3~833.1									
	6.5	94	5.6~21.5	197.7~759.0									
	7.5	109	5.3~20.8	187.1~734.2									
	8.5	123	4.9~20.0	173.0~706.0									
	10.5	152	4.1~16.3	144.7~575.4									
	12.5	181	3.9~15.3	137.7~540.1									
WC-110PM II	4.5	65	7.7~30.0	271.8~1059.0	110	150	Direct driving	73	DN100	2840	1850	1950	4300
	5.5	80	7.2~28.2	254.2~995.5									
	6.5	94	6.7~26.6	236.5~939.0									
	7.5	109	6.1~24.5	215.3~864.9									
	8.5	123	5.8~23.5	204.7~829.6									
	10.5	152	5.1~20.1	180.0~709.5									
	12.5	181	4.4~17.3	155.3~610.7									

- Free air delivery for the complete package in accordance with ISO 1217, Appendix E, at 20°C ambient temperature and 1 bar intake absolute pressure.
- Emitted sound pressure values from 64 dB(A) according to DIN EN ISO 2151:2009.
- Technical data subject to change.

PERMANENT MAGNET MOTOR + INVERTER + TWO-STAGE

Model	Maximum working pressure		Capacity (FAD)		Motor power		Mode of driving	Noise level	Outlet pipe dia.	Dimensions (mm)			Weight
	bar	psig	m ³ /min	cfm	kw	hp		db	inch	L	W	H	kg
WC-120PM II	4.5	65	8.8~35.0	310.6~1235.5	120	160	Direct driving	73	DN125	2970	1920	2060	5000
	5.5	80	7.9~30.0	278.9~1059.0					DN100	2840	1850	1950	4300
	6.5	94	7.2~28.2	254.2~995.5									
	7.5	109	6.5~26.0	229.5~917.8									
	8.5	123	6.1~24.8	215.3~875.4									
	10.5	152	5.6~22.9	197.7~808.4									
	12.5	181	4.7~19.2	165.9~677.8									
WC-132PM II	4.5	65	9.6~38.3	338.9~1352.0	132	175	Direct driving	73	DN125	2970	1920	2060	5100
	5.5	80	8.8~35.0	310.6~1235.5					DN100	2840	1850	1950	4400
	6.5	94	7.8~33.0	275.3~1164.9									
	7.5	109	7.2~30.0	254.2~1059.0									
	8.5	123	6.9~28.0	243.6~988.4									
	10.5	152	6.1~24.1	215.3~850.7									
	12.5	181	5.4~21.3	190.6~751.9									
WC-150PM II	4.5	65	10.5~42.0	370.7~1482.6	150	200	Direct driving	78	DN125	3300	1950	2150	6000
	5.5	80	9.6~38.3	338.9~1352.0					DN100	2840	1850	1950	4700
	6.5	94	8.8~35.0	310.6~1235.5									
	7.5	109	8.1~33.0	285.9~1164.9									
	8.5	123	7.4~30.0	261.2~1059.0									
	10.5	152	6.5~28.0	229.5~988.4									
	12.5	181	6.1~24.3	215.3~857.8									
WC-160PM II	4.5	65	11.0~44.0	388.3~1553.2	160	215	Direct driving	78	DN125	3300	1950	2150	6100
	5.5	80	10.5~42.0	370.7~1482.6					DN100	2840	1850	1950	4800
	6.5	94	9.6~38.3	338.9~1352.0									
	7.5	109	8.8~35.0	310.6~1235.5									
	8.5	123	8.1~33.0	285.9~1164.9									
	10.5	152	7.7~30.0	271.8~1059.0									
	12.5	181	6.5~26.3	229.5~928.4									

- Free air delivery for the complete package in accordance with ISO 1217, Appendix E, at 20°C ambient temperature and 1 bar intake absolute pressure.
- Emitted sound pressure values from 64 dB(A) according to DIN EN ISO 2151:2009.
- Technical data subject to change.

FIX SPEED TWO STAGE

Model	Maximum working pressure		Capacity (FAD)		Motor power		Mode of driving	Noise level db	Outlet pipe dia. inch	Dimensions (mm)			Weight kg
	bar	psig	m ³ /min	cfm	kw	hp				L	W	H	
WC-15 II	4.5	65	4.2	148.3	15	20	Direct driving	68	1 1/2	1500	900	1270	1200
	5.5	80	3.5	123.6									
	6.5	94	3.4	120.0									
	7.5	109	3	105.9									
	8.5	123	2.9	102.4									
	10.5	152	2.8	98.8									
	12.5	181	2.7	95.3									
WC-18 II	4.5	65	4.3	151.8	18	25	Direct driving	68	1 1/2	1500	900	1270	1250
	5.5	80	4.2	148.3									
	6.5	94	3.6	127.1									
	7.5	109	3.5	123.6									
	8.5	123	3.4	120.0									
	10.5	152	2.9	102.4									
	12.5	181	2.8	98.8									
WC-22 II	4.5	65	6.1	215.3	22	30	Direct driving	68	2	1650	1050	1370	1480
	5.5	80	5.9	208.3									
	6.5	94	4.4	155.3									
	7.5	109	4.3	151.8									
	8.5	123	4.2	148.3									
	10.5	152	3.5	123.6									
	12.5	181	3.4	120.0									
WC-30 II	4.5	65	7.2	254.2	30	40	Direct driving	71	2	1650	1050	1370	1550
	5.5	80	7.1	250.6									
	6.5	94	7	247.1									
	7.5	109	6.2	218.9									
	8.5	123	6	211.8									
	10.5	152	4.2	148.3									
	12.5	181	4	141.2									
WC-37 II	4.5	65	10.1	356.5	37	50	Direct driving	71	2	1800	1150	1390	1700
	5.5	80	10	353.0									
	6.5	94	7.2	254.2									
	7.5	109	7.1	250.6									
	8.5	123	7	247.1									
	10.5	152	6	211.8									
	12.5	181	5.5	194.2									
										1650	1050	1370	1600

- Free air delivery for the complete package in accordance with ISO 1217, Appendix E, at 20°C ambient temperature and 1 bar intake absolute pressure.
- Emitted sound pressure values from 64 dB(A) according to DIN EN ISO 2151:2009.
- Technical data subject to change.

Model	Maximum working pressure		Capacity (FAD)		Motor power		Mode of driving	Noise level	Outlet pipe dia.	Dimensions (mm)			Weight
	bar	psig	m ³ /min	cfm	kw	hp		db	inch	L	W	H	kg
WC-45 II	4.5	65	13.0	458.9	45	60	Direct driving	71	2 1/2	2100	1360	1680	2700
	5.5	80	11.5	406.0					2	1800	1150	1400	2300
	6.5	94	10.1	356.5									
	7.5	109	10.0	353.0									
	8.5	123	9.8	345.9									
	10.5	152	6.8	240.0									
	12.5	181	6.6	233.0					1650	1050	1400	1650	
WC-55 II	4.5	65	15.0	529.5	55	75	Direct driving	73	2 1/2	2100	1360	1680	2800
	5.5	80	13.0	458.9									
	6.5	94	12.5	441.3									
	7.5	109	12.3	434.2									
	8.5	123	12.2	430.7									
	10.5	152	10.0	353.0									
	12.5	181	9.8	345.9					2	1800	1150	1400	2350
WC-75 II	4.5	65	19.5	688.4	75	100	Direct driving	73	DN80	2740	1740	1820	3500
	5.5	80	19.0	670.7					DN65	2180	1680	1690	3300
	6.5	94	16.0	564.8									
	7.5	109	15.3	540.1									
	8.5	123	15.0	529.5									
	10.5	152	12.5	441.3									
	12.5	181	12.0	423.6					2 1/2	2100	1360	1680	2900
WC-90 II	4.5	65	23.5	829.6	90	120	Direct driving	78	DN80	2740	1740	1820	3700
	5.5	80	23.1	815.4									
	6.5	94	19.1	674.2									
	7.5	109	19.0	670.7									
	8.5	123	18.8	663.6									
	10.5	152	16.0	564.8									
	12.5	181	15.0	529.5					2 1/2	2180	1680	1690	3100
WC-110 II	4.5	65	12.5~30.0	441.3~1059.0	110	150	Direct driving	78	DN100	2840	1850	1950	4300
	5.5	80	10.6~26.5	374.2~935.5									
	6.5	94	10.5~26.2	370.7~924.9									
	7.5	109	9.3~23.7	328.3~836.6									
	8.5	123	9.2~23.3	324.8~822.5									
	10.5	152	7.8~19.5	275.3~688.4									
	12.5	181	7.6~19.3	268.3~681.3					DN80	2740	1740	1820	3900

- Free air delivery for the complete package in accordance with ISO 1217, Appendix E, at 20°C ambient temperature and 1 bar intake absolute pressure.
- Emitted sound pressure values from 64 dB(A) according to DIN EN ISO 2151:2009.
- Technical data subject to change.

LOW PRESSURE + PERMANENT MAGNET MOTOR + INVERTER + ONE-STAGE

Model	Maximum working pressure		Capacity (FAD)		Motor power		Mode of driving	Noise level	Outlet pipe dia.	Dimensions (mm)			Weight	
	bar	psig	m ³ /min	cfm	kw	hp		db	inch	L	W	H	kg	
WC-30 PM LP	2.0	29	2.9~11.3	102.4~398.9	30	40	Direct Driving	68	DN80	1800	1300	1900	2000	
	2.5	36	2.5~10.1	88.3~356.5										
WC-37 PM LP	2.0	29	3.4~14.0	120.0~494.2	37	50	Direct Driving	68	DN80	1800	1300	1900	2400	
	2.5	36	3.1~12.2	109.4~430.7										
	3.0	44	3.5~11.5	123.6~406.0										
WC-45 PM LP	2.0	29	4.0~16.0	141.2~564.8	45	60	Direct Driving	68	DN100	2290	1690	1890	2600	
	3.0	44	3.5~13.8	123.6~487.1					DN80	1800	1300	1900	2500	
	4.0	58	3.0~11.2	105.9~395.4										
WC-55 PM LP	2.0	29	5.2~21.0	183.6~741.3	55	75	Direct Driving	70	DN100	2290	1690	1890	3000	
	2.5	36	4.8~19.3	169.4~681.3										
	3.0	44	4.4~17.6	155.3~621.3										
WC-75 PM LP	2.0	29	7.1~28.0	250.6~988.4	75	90	Direct Driving	72	DN125	2420	1740	2000	4300	
	2.5	36	6.3~25.3	222.4~893.1										
	3.0	44	5.8~23.1	204.7~815.4										
WC-90 PM LP	2.0	29	8.6~36.5	303.6~1288.5	90	120	Direct Driving	75	DN150	3150	1950	2220	4900	
	2.5	36	8.7~34.8	307.1~1228.4					DN125	2900	1850	1920	4900	
	3.0	44	7.9~32.0	278.9~1129.6										
	3.5	51	7.5~29.0	264.8~1023.7										
	4.0	58	7.0~25.6	247.1~903.7										
WC-110 PM LP	2.0	29	11.6~47.2	409.5~1666.2	110	150	Direct Driving	78	DN150	3300	2050	2250	6500	
	2.5	36	9.8~38.8	345.9~1369.6						3150	1950	2200	5100	
	3.0	44	9.2~36.8	324.8~1299.0						DN125	2900	1850	1920	5100
	3.5	51	8.6~34.8	303.6~1228.4										
	4.0	58	7.9~31.0	278.9~1094.3										
WC-132 PM LP	2.0	29	13.2~51.8	466.0~1828.5	132	180	Direct Driving	80	DN150	3300	2050	2250	6900	
	2.5	36	12.5~50.3	441.3~1775.6										
	3.0	44	11.8~47.2	416.5~1666.2										
	3.5	51	9.8~40.2	345.9~1419.1										
WC-150 PM LP	2.0	29	14.0~56.5	494.2~1994.5	150	200	Direct Driving	82	DN150	3300	2050	2250	7100	
	2.5	36	13.7~55.0	483.6~1941.5										
	3.0	44	12.5~50.0	441.3~1765.0										
	3.5	51	11.8~47.5	416.5~1676.8										
	4.0	58	9.8~40.2	345.9~1419.1										
WC-160 PM LP	2.0	29	16.6~62.8	586.0~2216.8	160	215	Direct Driving	85	DN200	3300	2050	2250	7300	
	2.5	36	15.6~60.6	550.7~2139.2										
	3.0	44	14.0~56.6	494.2~1998.0										
	3.5	51	12.5~50.3	441.3~1775.6										
	4.0	58	11.8~47.0	416.5~1659.1										

- Free air delivery for the complete package in accordance with ISO 1217, Appendix E, at 20°C ambient temperature and 1 bar intake absolute pressure.
- Emitted sound pressure values from 64 dB(A) according to DIN EN ISO 2151:2009.
- Technical data subject to change.

Model	Maximum working pressure		Capacity (FAD)		Motor power		Mode of driving	Noise level	Outlet pipe dia.	Dimensions (mm)			Weight
	bar	psig	m ³ /min	cfm	kw	hp		db	inch	L	W	H	kg
WC-185 PM LP	2.0	29	17.8~71.3	628.3~2516.9	185	250	Direct Driving	88	DN200	4400	2270	2400	8400
	2.5	36	16.9~67.6	596.6~2386.3						DN150	3300	2050	2250
	3.0	44	15.6~62.9	550.7~2220.4									
	3.5	51	14.0~56.6	494.2~1998.0									
	4.0	58	12.5~50.0	441.3~1765.0									
WC-200 PM LP	2.0	29	20.5~81.8	723.7~2887.5	200	270	Direct Driving	88	DN200	4400	2270	2400	8600
	2.5	36	17.8~71.2	628.3~2513.4						DN150	3800	2400	2400
	3.0	44	16.6~67.6	586.0~2386.3									
	3.5	51	15.6~62.9	550.7~2220.4									
	4.0	58	14.0~56.6	494.2~1998.0									
WC-220 PM LP	2.0	29	22.2~88.7	783.7~3131.1	220	300	Direct Driving	90	DN250	5000	2400	2600	9600
	2.5	36	20.4~81.6	720.1~2880.5						DN200	4400	2270	2400
	3.0	44	18.3~73.1	646.0~2580.4									
	3.5	51	16.6~67.5	586.0~2382.8									
	4.0	58	15.6~62.6	550.7~2209.8									
WC-250 PM LP	2.0	29	25.6~102.5	903.7~3618.3	250	340	Direct Driving	90	DN250	5000	2400	2600	10000
	2.5	36	22.8~91.3	804.8~3222.9						DN200	4400	2270	2400
	3.0	44	21.0~83.6	741.3~2951.1									
	3.5	51	19.3~77.1	681.3~2721.6									
	4.0	58	16.6~69.0	586.0~2435.7									
WC-280 PM LP	2.5	36	25.6~102.5	903.7~3618.3	280	380	Direct Driving	90	DN250	5000	2400	2600	10400
	3.0	44	23.5~93.9	829.6~3314.7						DN200	4400	2270	2400
	3.5	51	21.4~85.5	755.4~3018.2									
	4.0	58	19.8~79.1	698.9~2792.2									
WC-300 PM LP	3.0	44	25.6~102.2	903.7~3607.7	300	410	Direct Driving	90	DN250	5000	2400	2600	10800
	3.5	51	23.5~93.8	829.6~3311.1						DN200	4400	2270	2400
	4.0	58	21.0~87.4	741.3~3085.2									

- Free air delivery for the complete package in accordance with ISO 1217, Appendix E, at 20°C ambient temperature and 1 bar intake absolute pressure.
- Emitted sound pressure values from 64 dB(A) according to DIN EN ISO 2151:2009.
- Technical data subject to change.

Winbell Compressors Pvt. Ltd.

Corporate Office & Manufacturing Unit :
 Plot No.99, Panchratna-II, Industrial Park, Ahmedabad - Dholka Highway,
 (Kamod Circle-Dholka Road) Nr. S. P. Ring Road, Ahmedabad-382425.
 Contact : +91 73831 07336 / +91 98980 57396

✉ : sales@winbellcompressor.com / info@winbellcompressor.com

🌐 : www.winbellcompressor.com

